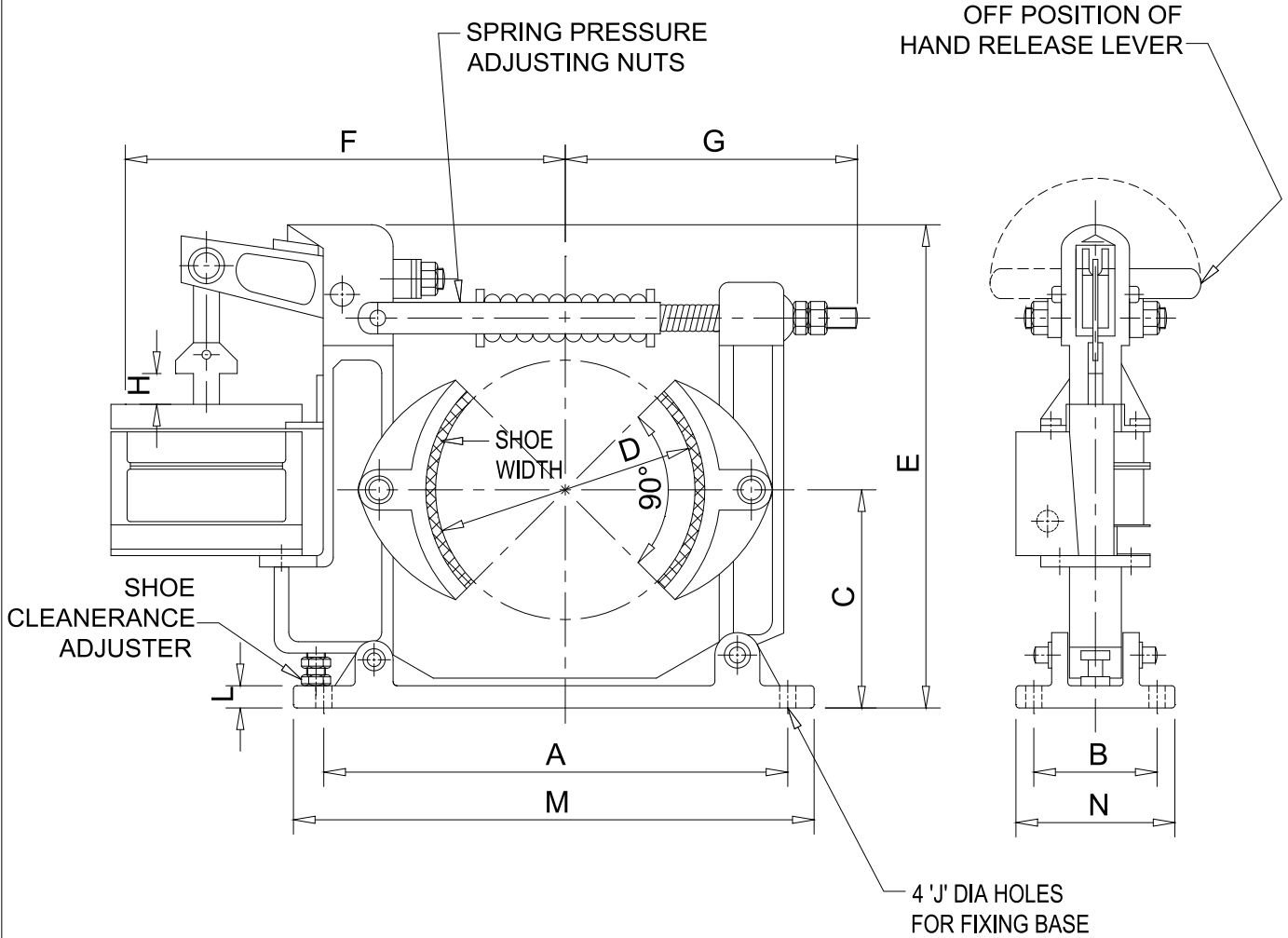



THIS DRAWING IS THE PROPERTY OF SUNI CRANES CONTROLS, MUMBAI-400 072. REPRODUCTION, UTILISATION OR DISCLOSURE TO THIRD PARTIES, IN ANY FORM WHATSOEVER IS NOT ALLOWED WITHOUT WRITTEN CONSENT



BRAKE TYPE	DRUM DIA D	BRAKING TORQUE 100% COIL RATING (KGM)	A	B	C	E (MAX.)	F (MAX.)	G (MAX.)	H	J	K	L (MAX.)	M	N	WT. IN KG.
ASM 10	100	1.87	232	70	130	275	230	140	19	10	57	14	267	98	12.5
ASM 15	150	6.50	310	76	143	305	260	175	19	10	70	18	340	114	18
ASM 20	200	15.00	400	92	175	370	340	235	19	14	89	20	441	126	30
ASM 25	250	19.30	470	114	225	460	380	275	19	14	108	23	508	150	43
ASM 30	300	38.80	535	152	254	530	445	320	19	20	127	22	616	210	77
ASM 38	380	58.60	610	315	315	645	495	355	19	22	152	28	680	229	96

ALL DIMENSIONS ARE IN MM. UNLESS OTHERWISE SPECIFIED.

DRAWN : <i>P. Kambl</i> CHECKED : G. G. YADAV APPROVED : MATERIAL : TOTAL WT. : DATE : 15 / 09 / 1995 SCALE : N.T.S.	 Suni Cranes Controls AN ISO 9001:2008 CERTIFIED COMPANY Shubh Indl. Estate Vasai(E) Thane-401202
TITLE.	SINGLE PHASE E.M. BRAKE (RATING, DIMENSIONS AND WEIGHTS)
DRG.NO.	Suni/ GA /E.M./10
REV.	0