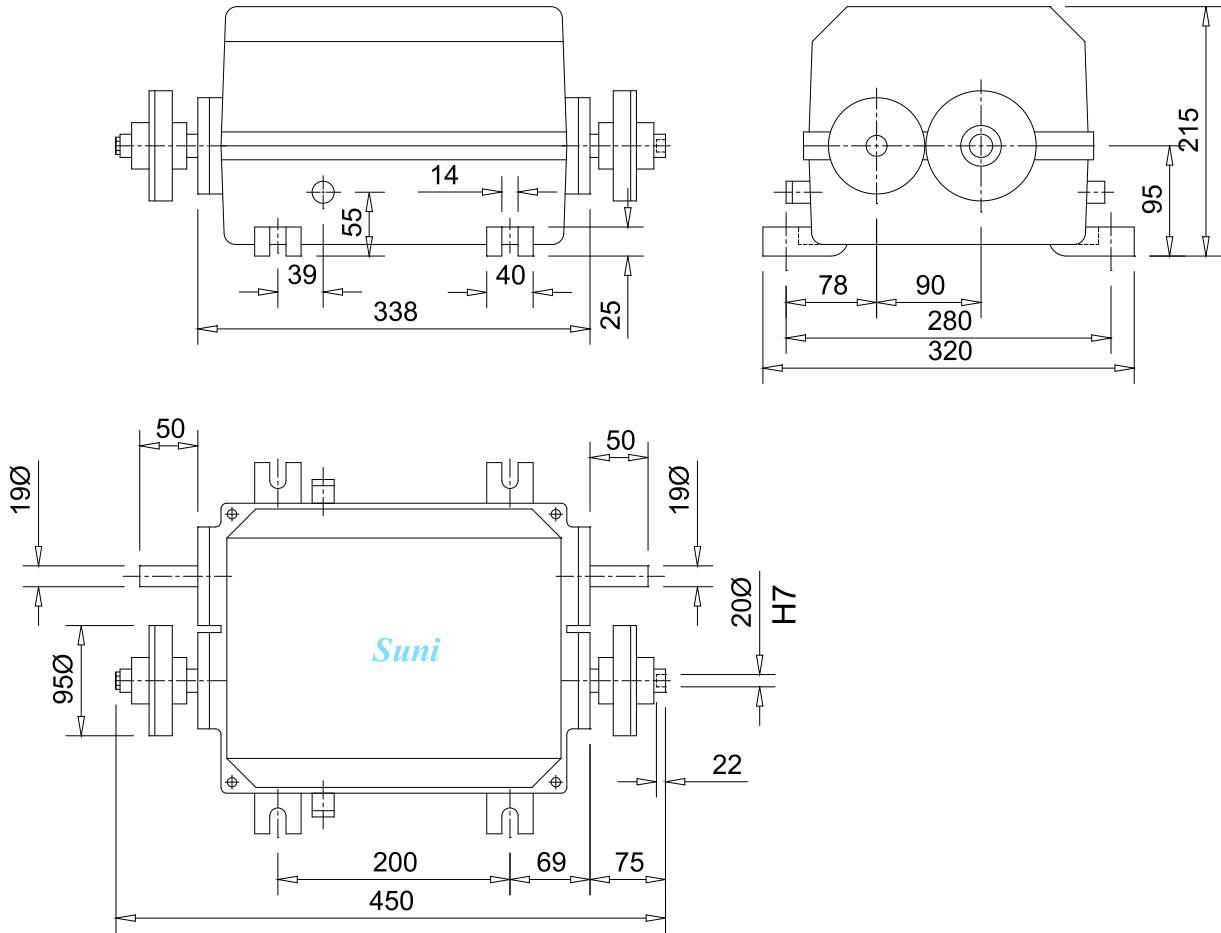


THIS DRAWING IS THE PROPERTY OF SUNI CRANES CONTROLS, MUMBAI-400 072. REPRODUCTION, UTILISATION OR DISCLOSURE TO THIRD PARTIES, IN ANY FORM WHATSOEVER, IS NOT ALLOWED WITHOUT WRITTEN CONSENT



ALL DIMENSIONS ARE IN MM. UNLESS OTHERWISE SPECIFIED.

DRAWN : P. Kamble  
 CHECKED : G. G. YADAV  
 APPROVED :  
 MATERIAL :  
 TOTAL WT. :  
 DATE : 15 / 09 / 1995  
 SCALE : N.T.S.



**Suni Cranes Controls**  
 AN ISO 9001:2008 CERTIFIED COMPANY  
 Shubh Indl. Estate Vasai(E) Thane-401202

TITLE. **GRAB DIFFERENTIAL LIMIT SWITCH**

DRG.NO. **Suni / GA / DLS/04**

REV. **0**