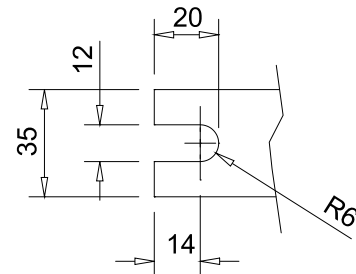
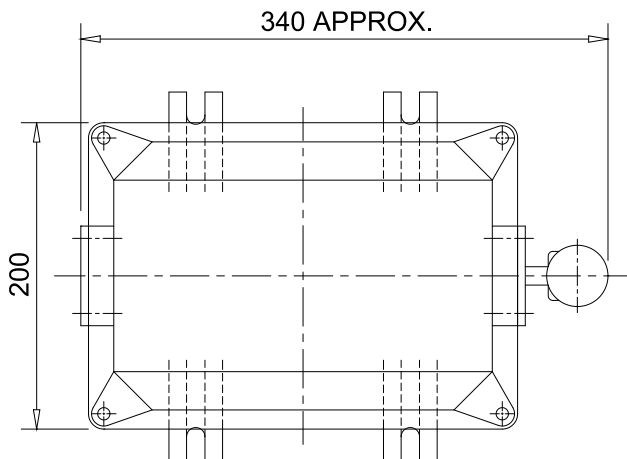


VIEW AT - A



VIEW AT - B

TECHNICAL CHARACTERISTICS

- 1) CURRENT RATING : 40 AMPS. AT 415 V.A.C.
- 2) NO. OF. CONTACTS : 17 (MAX.)
- 3) NO. OF NOTCHES : 5
- 4) NOTCHING ANGLE : 12° OR 18°
- 5) ENCLOSURE : IP 54 CONFIRMING TO IS - 13947(Part-1)1993

ALL DIMENSIONS ARE IN MM. UNLESS OTHERWISE SPECIFIED.

DRAWN : *P. Kambli*

CHECKED : G. G. YADAV

APPROVED :

MATERIAL : AL. CASTING

TOTAL WT. : 12KG. (APPX.)

DATE : 15 / 09 / 1995

SCALE : N.T.S.

**Suni Cranes Controls**

AN ISO 9001:2008 CERTIFIED COMPANY

Shubh Indl. Estate Vasai(E) Thane-401202

TITLE.

MASTER CONTROLLER

DRG.NO.

Suni / GA / Master Controller/09

REV.

0