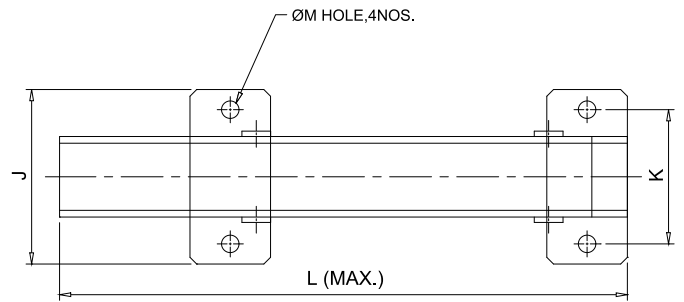
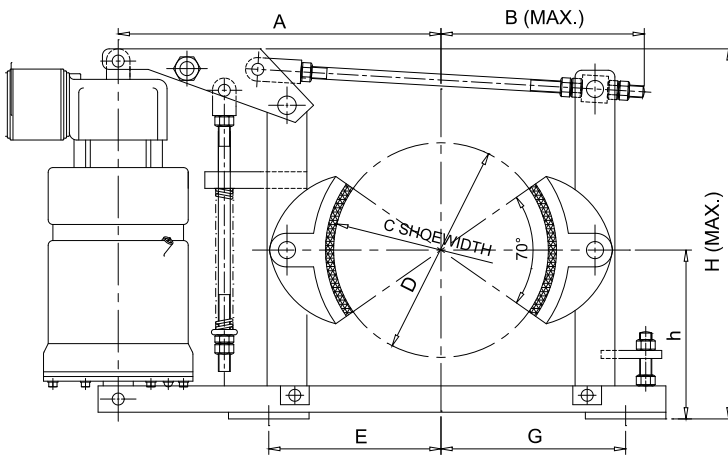


THIS DRAWING IS THE PROPERTY OF SUNI CRANES CONTROLS.MUMBAI-400 072.REPRODUCTION ,UTILISATION OR DISCLOSURE TO THIRD PARTIES ,IN ANY FORM WHATSOEVER IS NOT ALLOWED WITHOUT WRITTEN CONSET



**BOTTOM DETAILS**

**TORQUE RATINGS & DIMENSION DETAILS**

BRAKE TYPE	DRUM DIA. (MM.)	THRUSTOR CAP. (KGS.)	THRUSTOR STROKE (MM.)	BRAKING TORQUE (KGM.)	A	B	C	E	G	h	H	J	K	L	M	WT. OF BRAKE
MDT 100 - 18	100	18	50	6	235	135	70	150	100	125	415	130	100	403	12	9
MDT 150 - 18	150	18	50	9	265	165	70	122	128	125	415	130	100	463	12	10
MDT 160 - 18	160															
MDT 200 - 18	200	18	50	20	360	215	88	360	170	200	513	180	125	600	14	23
MDT 200 - 34	200	34	50	32	360	215	88	360	170	200	563	180	125	600	14	23

ALL DIMENSIONS ARE IN MM. UNLESS OTHERWISE SPECIFIED.

DRAWN : P. Kambli  
 CHECKED : G. G. YADAV  
 APPROVED :  
 MATERIAL :  
 TOTAL WT. :  
 DATE : 15 / 09 / 1995  
 SCALE : N.T.S.



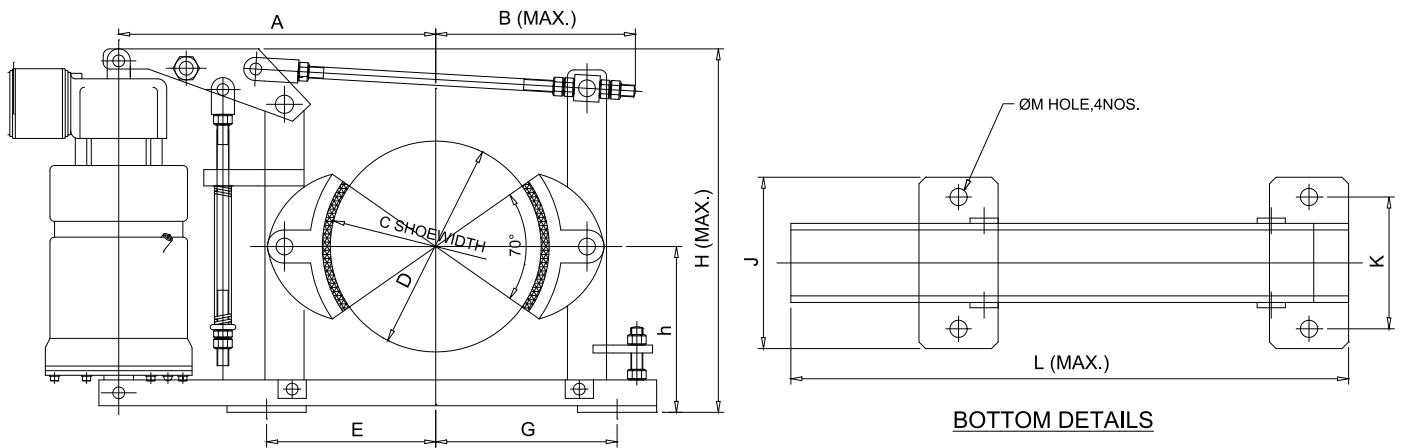
**Suni Cranes Controls**  
 AN ISO 9001:2008 CERTIFIED COMPANY  
 Shubh Indl. Estate Vasai(E) Thane-401202

TITLE. **MILL DUTY THRUSTORS BRAKE**  
 (MDT 100 - 200)

DRG.NO. **Suni / GA / MDT100-200/06**

REV. **0**

THIS DRAWING IS THE PROPERTY OF SUNI CRANES CONTROLS, MUMBAI-400 072. REPRODUCTION, UTILISATION OR DISCLOSURE TO THIRD PARTIES, IN ANY FORM WHATSOEVER IS NOT ALLOWED WITHOUT WRITTEN CONSENT



#### TORQUE RATINGS & DIMENSION DETAILS

BRAKE TYPE	DRUM DIA. (MM.)	THRUSTOR CAP. (KGS.)	THRUSTOR STROKE (MM.)	BRAKING TORQUE (KGM.)	A	B	C	E	G	h	H	J	K	L	M	WT. OF BRAKE
MDT 100 - 18	100	18	30	6	235	135	70	150	100	125	415	130	100	403	12	9
MDT 150 - 18	150	18	50	9	265	165	70	122	128	125	415	130	100	463	12	10
MDT 160 - 18	160															
MDT 200 - 18	200	18	50	20	360	215	88	360	170	200	513	180	125	600	14	23
MDT 200 - 34	200	34	50	32	360	215	88	360	170	200	563	180	125	600	14	23

ALL DIMENSIONS ARE IN MM. UNLESS OTHERWISE SPECIFIED.

DRAWN : P. Kamble  
 CHECKED : G. G. YADAV  
 APPROVED :  
 MATERIAL :  
 TOTAL WT. :  
 DATE : 15 / 09 / 1995  
 SCALE : N.T.S.



**Suni Cranes Controls**  
 AN ISO 9001:2008 CERTIFIED COMPANY  
 Shubh Indl. Estate Vasai(E) Thane-401202

TITLE.

**MILL DUTY THRUSTORS BRAKE**  
 (MDT 100 - 200)

DRG.NO.

**Suni / GA / MDT100-200/06**

REV. 0