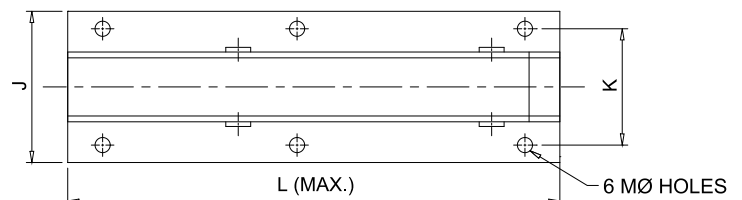
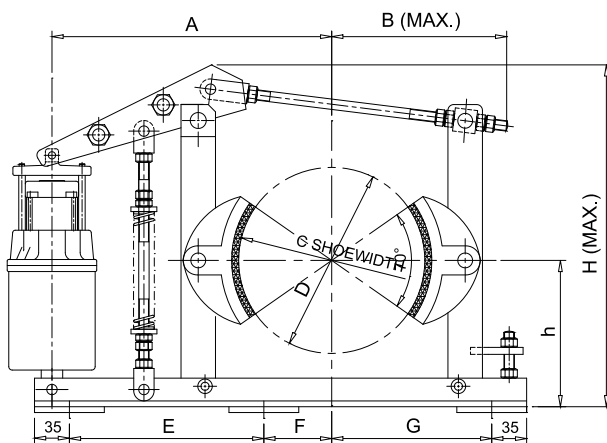


THIS DRAWING IS THE PROPERTY OF SUNI CRANES CONTROLS.MUMBAI-400 072.REPRODUCTION ,UTILISATION OR DISCLOSURE TO THIRD PARTIES ,IN ANY FORM WHATSOEVER IS NOT ALLOWED WITHOUT WRITTEN CONSET



BOTTOM DETAILS

TORQUE RATINGS & DIMENSION DETAILS

BRAKE TYPE	DRUM DIA. (MM.)	THRUSTOR CAP. (KGS.)	THRUSTOR STROKE (MM.)	BRAKING TORQUE (KGM.)	A	B	C	E	F	G	h	H	J	K	L	M	WT. OF BRAKE
MDT 250 - 18	250	18	50	35	386	235	100	300	104	196	225	513	180	125	670	14	25
MDT 250 - 34	250	34	50	42	410							563					
MDT 300 - 18	300	18	50	42	450	285	140	355	105	250	275	600	200	145	780	20	47
MDT 300 - 34	300	34	50	62	500	360	165	415	95	320	310	630	200	145	900	20	57
MDT 400 - 34	400	34	50	90													
MDT 400 - 68	400	68	75	170	620	420	200	500	150	380	417	857	245	190	1100	25	100
MDT 500 - 68	500	68	75	290													
MDT 500 - 114	500	114	75	385	688	480	240	580	150	430	475	970	245	190	1230	25	175
MDT 600 - 114	600	114	75	480													

ALL DIMENSIONS ARE IN MM. UNLESS OTHERWISE SPECIFIED.

DRAWN : P. Kambl
 CHECKED : G. G. YADAV
 APPROVED :
 MATERIAL :
 TOTAL WT. :
 DATE : 15 / 09 / 1995
 SCALE : N.T.S.



Suni Cranes Controls
 AN ISO 9001:2008 CERTIFIED COMPANY
 Shubh Indl. Estate Vasai(E) Thane-401202

TITLE. **MILL DUTY THRUSTORS BRAKE**
 (MDT 250 - 600)

DRG.NO. **Suni / GA / MDT250-600/07**

REV. 0